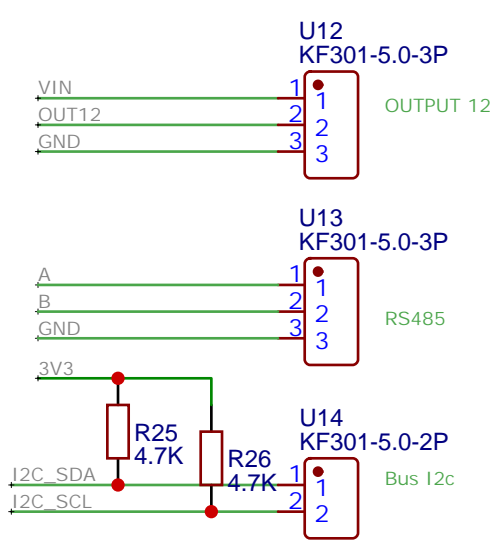
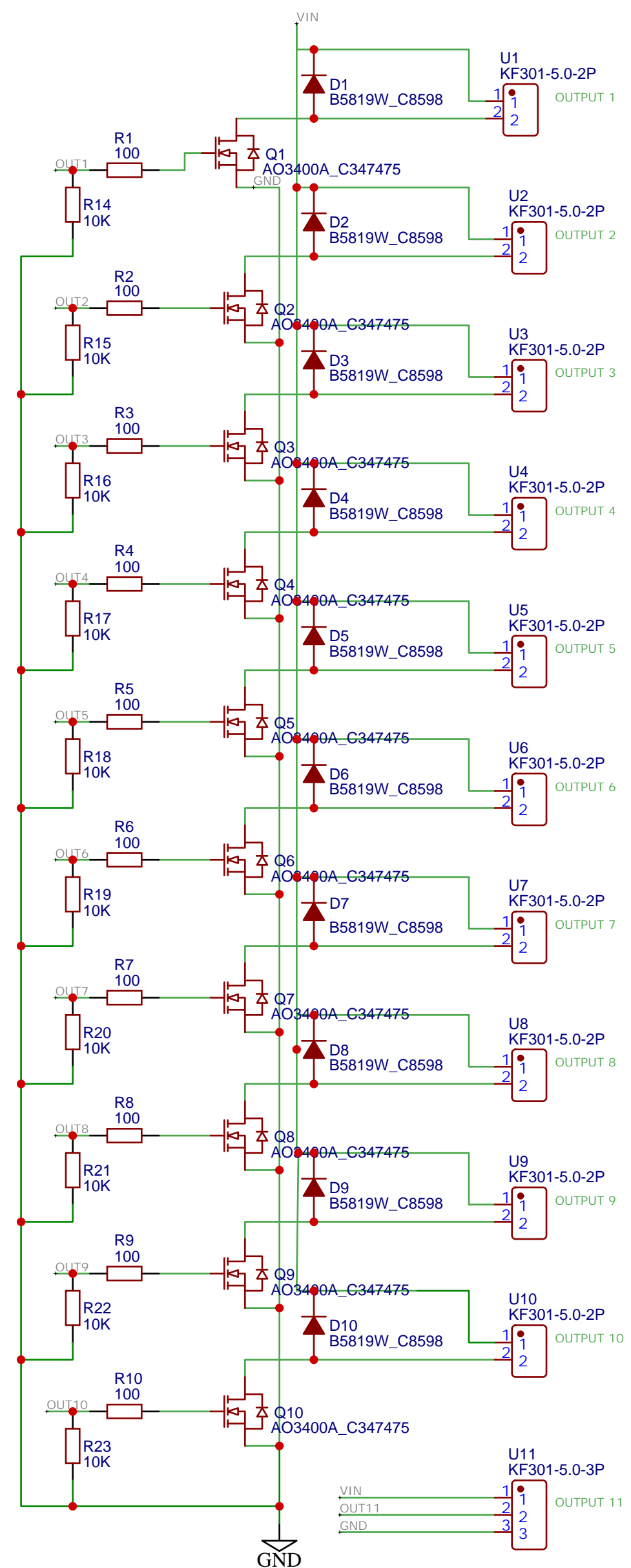


\* component not installed on PCB



Note: ADC2 pins cannot be used when Wi-Fi is used

U19 ESP32_DEVKIT_V1			
AIN2	2	EN	30
AIN3	3	36/VP	29
IN3	4	39/VN	28
AIN1	5	34/ADC1.6	27
OUT11	6	35/ADC1.7	26
OUT12	7	32/ADC1.4	25
OUT7	8	33/ADC1.5	24
OUT8	9	25/ADC2.8	23
OUT9	10	26/ADC2.9	22
IN2	11	27/ADC2.7	21
OUT2	12	14	20
OUT3	13	12	19
GND	14	13	18
5V_ESP	15	GND@1	17
		VIN	16
			3V3
		VSPI.MOSI/23	30
		SCL/22	29
		TX	28
		RX	27
		SDA/21	26
		VPSI.MISO/19	25
		VSPI.CLK/18	24
		17	23
		16	22
		20	21
		19	20
		18	19
		17	18
		16	17
		15	16
		14	15
		13	14
		12	13
		11	12
		10	11
		9	10
		8	9
		7	8
		6	7
		5	6
		4	5
		3	4
		2	3
		1	2

