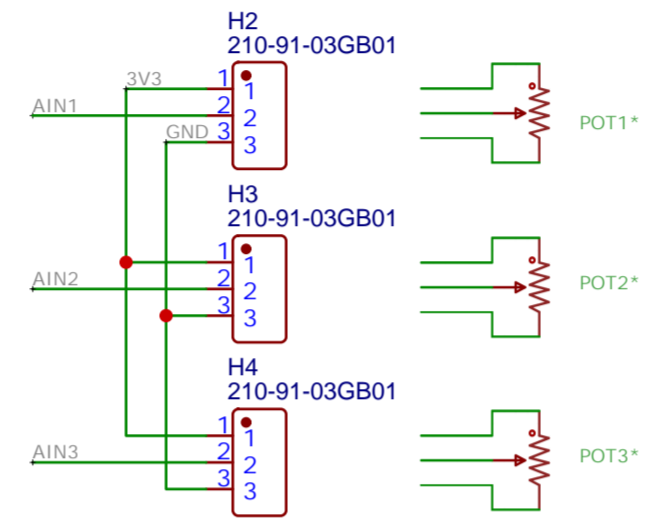
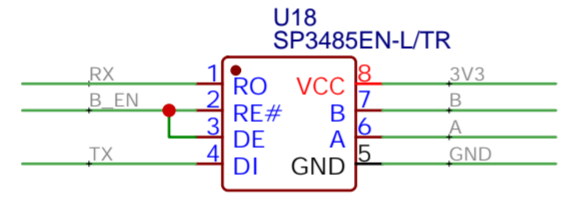


Note: ADC2 pins cannot be used when Wi-Fi is used

U19 ESP32_DEVKIT_V1				
1	EN	VSPI.MOSI/23	30	OUT6
AIN2	2	36/VP	29	I2C_SCL
AIN3	3	39/VN	28	TX
IN3	4	34/ADC1.6	27	RX
AIN1	5	35/ADC1.7	26	I2C_SDA
OUT11	6	32/ADC1.4	25	OUT5
OUT12	7	33/ADC1.5	24	OUT4
OUT7	8	25/ADC2.8	23	IN1
OUT8	9	26/ADC2.9	22	TX
OUT9	10	27/ADC2.7	21	RX
IN2	11	14	20	OUT1
OUT2	12	ADC2.2/4	19	B_EN
OUT3	13	ADC2.2/2	18	OUT10
GND	14	ADC2.3/15	17	GND
5V	15	GND@1	16	3V3
		VIN		
		3V3		



\* component not installed on PCB

