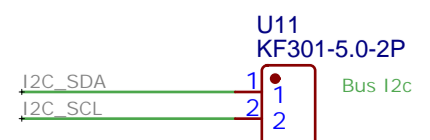
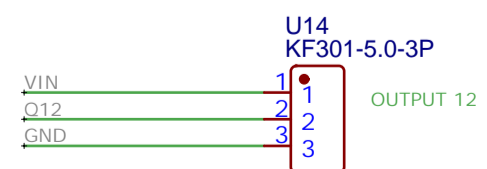
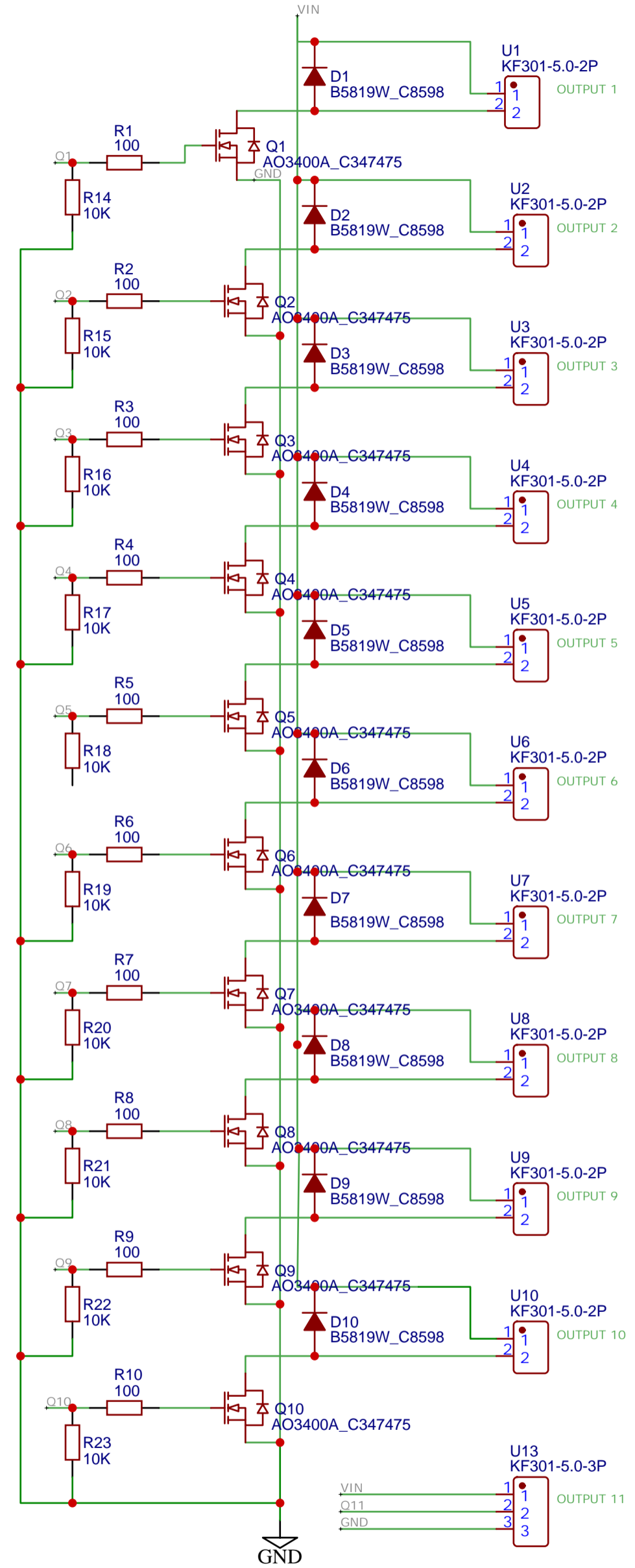


* component not installed on PCB



Note: ADC2 pins cannot be used when Wi-Fi is used

U18 ESP32_DEVKIT_V1					
EN	1	EN	30	OUT8	
AIN4	2	36/VP	29	I2C_SCL	
AIN5	3	39/VN	28		
AIN2	4	34/ADC1.6	27		
AIN3	5	35/ADC1.7	26	I2C_SDA	
OUT12	6	32/ADC1.4	25	OUT7	
AIN1	7	33/ADC1.5	24	OUT6	
OUT9	8	25/ADC2.8	23	IN2	
OUT10	9	26/ADC2.9	22	OUT5	
OUT11	10	27/ADC2.7	17	OUT4	
IN3	11	14	20	OUT1	
OUT2	12	12	19	IN1	
OUT3	13	13	18	AIN6	
GND	14	GND@1	17	GND	
5V	15	VIN	16	3V3	